

**ACT20P-CI-2CO-OLP-S**

**Weidmüller Interface GmbH & Co. KG**  
 Klingenbergstraße 26  
 D-32758 Detmold  
 Germany

www.weidmueller.com

**Similar to illustration**



**ACT20P: The flexible solution**

- Precise and highly functional signal converters
- Release levers simplify handling

**General ordering data**

Version	Passive isolator, Input : 4-20 mA, Output : 2 x 4-20 mA, (loop powered), Signal distributor, Output current loop powered
Order No.	<a href="#">7760054122</a>
Type	ACT20P-CI-2CO-OLP-S
GTIN (EAN)	6944169656620
Qty.	1 items

**ACT20P-CI-2CO-OLP-S**

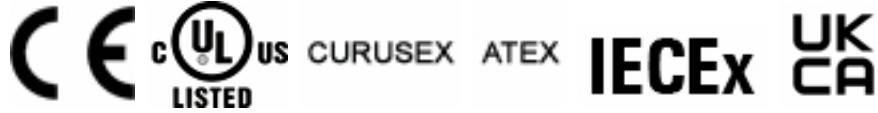
**Weidmüller Interface GmbH & Co. KG**  
 Klingenbergstraße 26  
 D-32758 Detmold  
 Germany

www.weidmueller.com

**Technical data**

**Approvals**

Approvals



ROHS	Conform
UL File Number Search	<a href="#">UL Website</a>
Certificate No. (cURusEX)	E338066
Certificate no. (cULus)	E469563

**Dimensions and weights**

Depth	114 mm	Depth (inches)	4.4882 inch
Height	117.2 mm	Height (inches)	4.6142 inch
Width	12.5 mm	Width (inches)	0.4921 inch
Net weight	105 g		

**Temperatures**

Storage temperature	-40 °C...85 °C	Operating temperature	-20 °C...60 °C
Humidity at operating temperature	0...95 % (no condensation)	Humidity	5...95 %, no condensation

**Probability of failure**

SIL in compliance with IEC 61508	None
----------------------------------	------

**Environmental Product Compliance**

RoHS Compliance Status	Compliant with exemption
RoHS Exemption (if applicable/known)	7a, 7cI
REACH SVHC	Lead 7439-92-1
SCIP	2f6dd957-421a-46db-a0c2-cf1609156924

**Input**

Sensor	Current source, 4- wire sensor (with own power supply)	Number inputs	1
Input current	4...20mA	Voltage drop, current input	<3 V

**Output**

Number of outputs	2	Load impedance current	RL = (UB-12 V) / 20 ± 20mA, e.g. 600 Ω at 24 V
Type	passive, connected control must be active	Output current	4...20 mA, loop-powered

**General data**

Accuracy	<0.1 % of end value	Protection degree	IP20
Supply voltage	via output current loop, min. 12 V DC/ max. 30 V DC	Step response time	≤ 2 ms
Mounting rail	TS 35	Temperature coefficient	≤ 100 ppm/K
Type of signal forwarding according to HART®	unchanged	Nominal power consumption	2 VA
Configuration	none	Operating altitude	≤ 2000 m

**ACT20P-CI-2CO-OLP-S**

**Weidmüller Interface GmbH & Co. KG**  
 Klingenbergstraße 26  
 D-32758 Detmold  
 Germany

www.weidmueller.com

**Technical data**

**Insulation coordination**

Impulse withstand voltage	4 kV (1.2/50 µs)	EMC standards	EN 61326-1, EN 61000-6-2, EN 61000-6-4
Surge voltage category	III	Pollution severity	2
Galvanic isolation	3-way isolator	Insulation voltage	2 kV (Input /Output), 1 min, 50 Hz
Rated voltage	300 V		

**Data for Ex applications (ATEX)**

Marking	II 3 G Ex ec IIC T6 Gc	IECEx - gas labelling	Ex ec IIC T6 Gc
---------	------------------------	-----------------------	-----------------

**Connection data**

Type of connection	Screw connection	Tightening torque, min.	0.4 Nm
Tightening torque, max.	0.6 Nm	Clamping range, rated connection	2.5 mm <sup>2</sup>
Clamping range, min.	0.5 mm <sup>2</sup>	Clamping range, max.	2.5 mm <sup>2</sup>
Wire connection cross section AWG, min.	AWG 26	Wire connection cross section AWG, max.	AWG 12

**Part description**

Product description	The ACT20P-CI-2CO-OLP-S fixed passive isolator isolates analogue standard current source signals. An analogue input current signal is converted linearly and doubled to provide two galvanically separated output current signals. The device is powered via the output current loop. Features <ul style="list-style-type: none"> <li>• 3-way galvanic isolation between input, output 1 and output 2.</li> </ul>		
---------------------	---	--	--

**Classifications**

ETIM 8.0	EC002653	ETIM 9.0	EC002653
ETIM 10.0	EC002653	ECLASS 14.0	27-21-01-20
ECLASS 15.0	27-21-01-20		

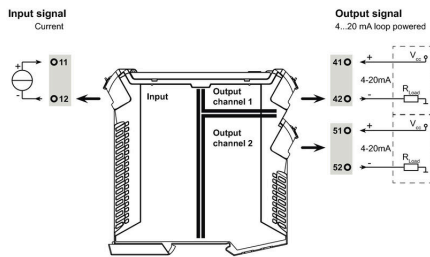
**ACT20P-CI-2CO-OLP-S**

**Weidmüller Interface GmbH & Co. KG**  
 Klingenbergstraße 26  
 D-32758 Detmold  
 Germany

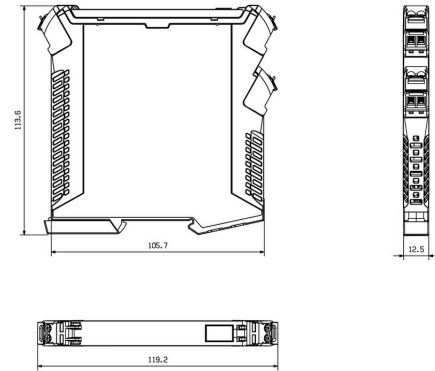
www.weidmueller.com

Drawings

Connection diagram



Dimensioned drawing



## ACT20P-CI-2CO-OLP-S

Weidmüller Interface GmbH &amp; Co. KG

Klingenbergstraße 26

D-32758 Detmold

Germany

## Accessories

www.weidmueller.com

## Blank



ESG is the tried-and-tested marker in MultiCard format for use on many well-known electrical devices. The result is high-quality device marking with a high-contrast appearance.

Various types are available for devices from manufacturers like Siemens, ABB, Beckhoff etc.

Advantages at a glance:

- Tags for universal usage, self-adhesive or clip-on tags, depending on type
- For aligned equipment, e.g. circuit breakers, we supply ESG markers for clipping onto tag rails
- Individual laser-quality printing according to specifications

For custom printing: Please send us a file of our labeling software M-Print PRO or M-Print PRO Online (without installation) for your labeling specifications.

## General ordering data

Type	ESG 8/13.5/43.3 SAI AU	Version
Order No.	<a href="#">1912130000</a>	ESG, Device markers x 13.5 mm, PA 66, Colour: Transparent, pluggable
GTIN (EAN)	4032248541164	
Qty.	5 ST	
Type	ESG 6.6/11 BHZ 5.00/02	Version
Order No.	<a href="#">1082490000</a>	ESG, Device markers x 11 mm, PA 66, Colour: white, pluggable
GTIN (EAN)	4032248845330	
Qty.	200 ST	